

PARTS LIST

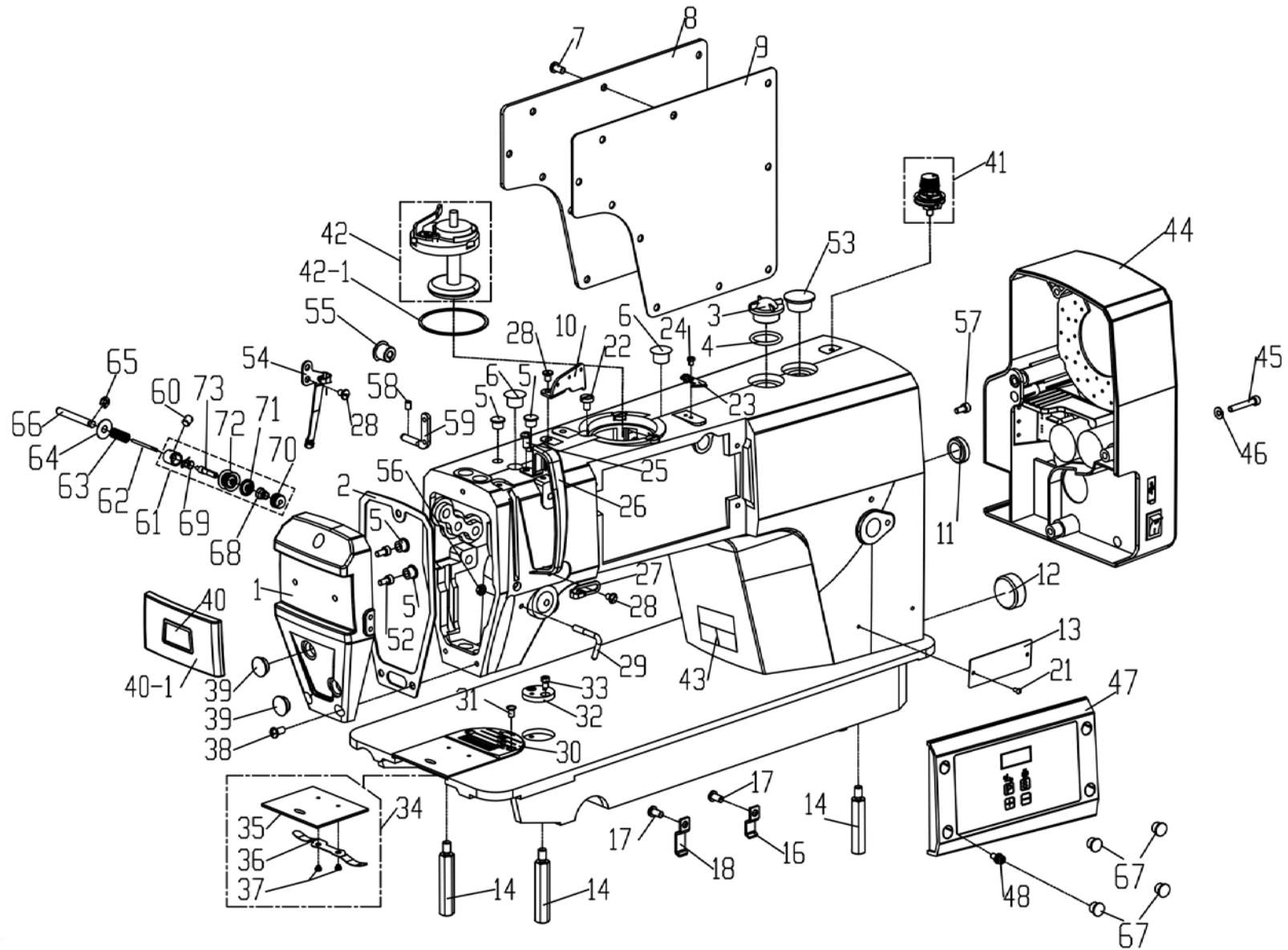
L-1 Series

PARTS LIST

INDEX

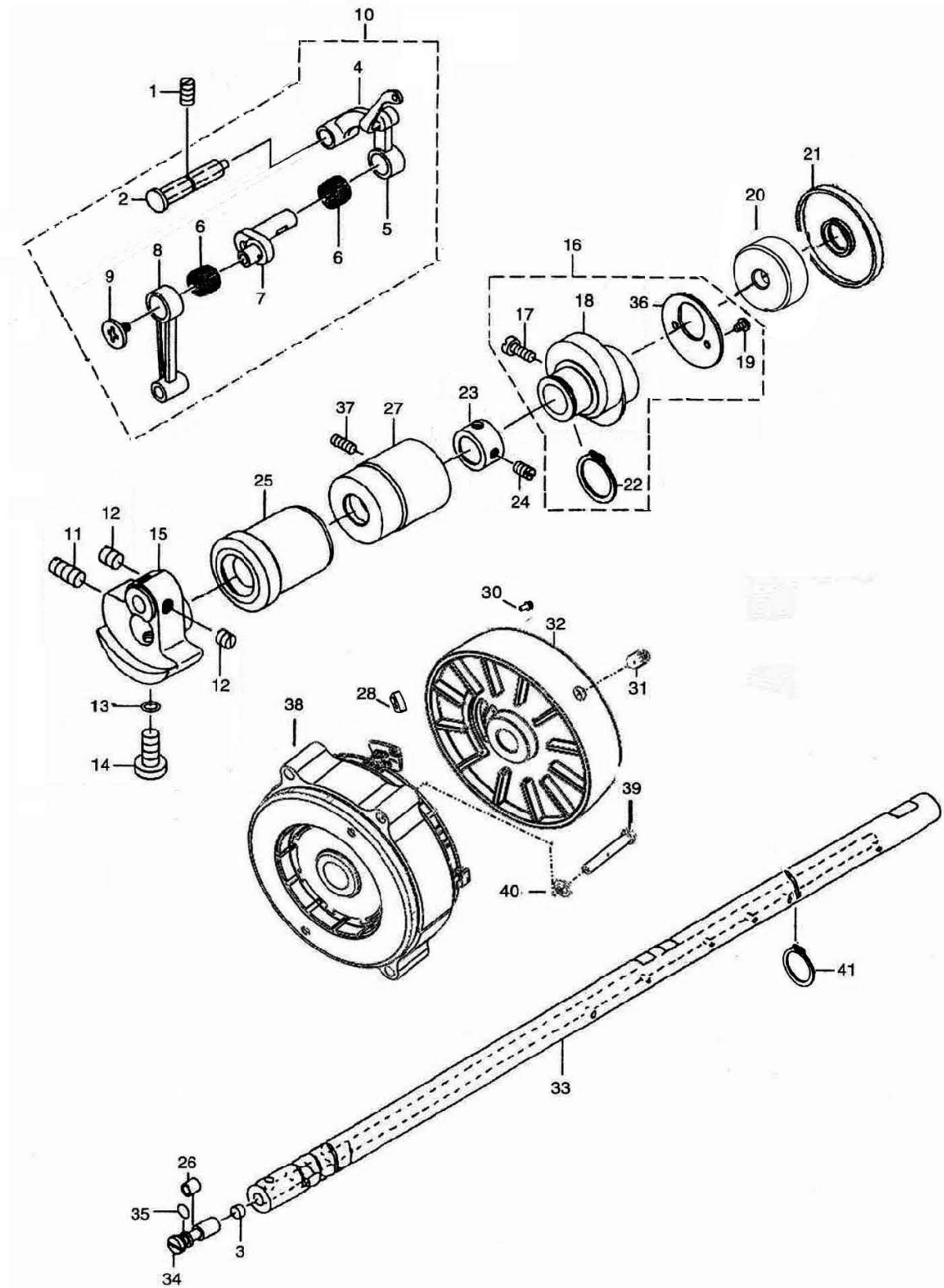
1. MACHINE FRAME & MISCELLANEOUS COVER COMPONENTS.....	1
2. MAIN SHAFT & THREAD TAKE-UP COMPONENTS	3
3. NEEDLE BAR, UPRIGHT SHAFT & HOOK DRIVING SHAFT COMPONENTS.....	5
4. HAND LIFTER COMPONENTS.....	7
5. FEED MECHANISM COMPONENTS	9
6. LIGHTING ASM.	11
7. OIL LUBRICATION COMPONENTS	13
8. OIL RESERVOIR COMPONENTS.....	15
9. THREAD STAND COMPONENTS.....	17
10. ACCESSORIES	19

1. MACHINE FRAME & MISCELLANEOUS COVER COMPONENTS



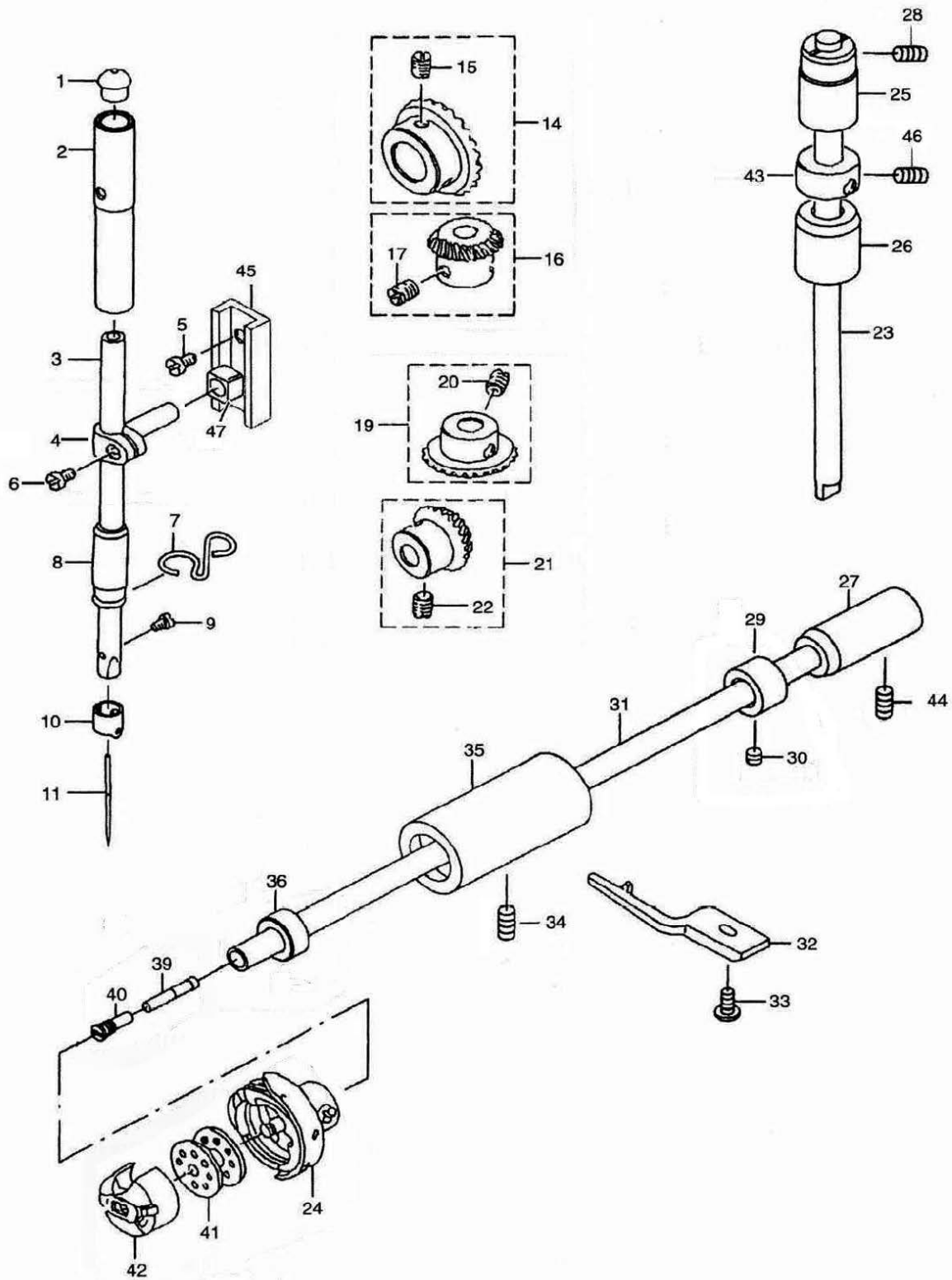
Ref. No	Part No	Description	QTY
1	JINPFS5T0101	FACE PLATE	1
2	JINPFS5T0102	FACE PLATE GASKET	1
3	JINPF5550824	OIL WINDOW	1
4	JINPF5550825	THRUST COLLAR ASM	1
5	JINPF5550113	RUBBER PLUG	4
6	JINPF5550112	RUBBER PLUG	2
7	JINPF555016	SCREW	8
8	JINPFQ518	FACE PLATE	1
9	JINPFQ519	FACE PLATE GASKET	1
10	JINPF0302113	OVER LINE BOARD	1
11	JINPF5550114	RUBBER PLUG	1
12	JINPF5550115	RUBBER PLUG	1
13	JINBZ3330	MODEL PLATE	1
14	JINPF555013	BED SCREW STUD	4
16	JINPF99901511	CORD HOLDER(S)	2
17	JINPF5550161	SCREW	2
18	JINPF99901160	CORD HOLDER(L)	1
21	JINSCJ6071	POLE	2
22	JINPF90000131	SCREW	3
23	JINPF90000132	THREAD CUTTER	1
24	JINPF68425K19	SCREW	2
25	JINPF5550230	SCREW	1
26	JINPFQ5126	THREAD TAKE-UP LEVER COVER	1
27	JINPF5550316	RIGHT ARM THREAD GUIDE	1
28	JINPF5550317	SCREW	3
29	JINPF9520MXDK021	LARGE ARM THREAD GUIDE	1
30	JINPF5550636	NEEDLE PLATE M1. 9	1
	JINPF0302141	NEEDLE PLATE M2. 6	1
31	JINPF5550637	SCREW	2
32	JINPFQ50132	RULER PLATE	1
33	JINPF5550117	SCREW	1
34	JINPF5550638	SLIDE PLATE ASM	1
35	JINPF555063801	SLIDE PLATE	1
36	JINPF555063802	SPRING OF SLIDE PLATE	1
37	JINPF555063803	SCREW	2
38	JINPF5550161	SCREW	3
39	JINPF8420M-D3010107	RUBBER PLUG	2
40	JINBZ3299	PLATE	1
40-1	JINPFS5T014002	DECORATION BOARD	1
41	JINPFQ514101	BOBBIN THREAD TENSION ASM	1
42	JINPFS5T0142	BOBBIN WINDER ASM	1
42-1	JINPF900001511	OIL SEAL OF COILING WHEE	1
43	JINBZ3141	SAFETY-INDICATING PLATE	1
44	JIN12010086	PILLEY COVER ASM	1
45	JINSCJ2004	SCREW	4
46	JINSCJ3010	WASHER	4
47	JIN1201008601	OPERATION PANEL	1
48	JINBF310167018	SCREW	4
52	JINBF310164527	SCREW	2
53	JINPF98000187	RUBBER PLUG	1
54	JINPFQ5129	LEFT ARM THREAD GUIDE	1
55	JINPFS5T0155	OPERATION PANEL LINE HOLE PLUG	1
56	JINPF9520MXDK02101	NUT	1
57	JINPF1310D239	SCREW	1
58	JINPF68425H33	SCREW	1
59	JINPF5550314	TWO-HOLE THREAD EYELET	1
60	JINPF5550330	SCREW	1
61	JINPFQ531726B	THREAD TENSION ASM	1
	JINPFQ5H3172601	THREAD TENSION ASM	1
62	JINPF6150131	THREAD RELEASE PIN	1
63	JINPF5550334	TESNION RELEASE PIN SPRING	1
64	JINPF5550333	TENSION RELEASE SUPPORTING PIN WASHER	1
65	JINSCJ1004	RETAINING RING	1
66	JINPF90000329	TESNION RELEASE SUPPORTING PIN	1
67	JINPFS1T0167	RUBBER PLUG	4
68	JINPFQ53172606	TENSION SPRING	1
	JINPFQ5H3172606	TENSION SPRING Heavy	1
	JINPFQ53172602	TAKE-UP SPRING	1
69	JINPFQ5H3172602	TAKE-UP SPRING Heavy	1
70	JINPFQ53172608	TENSION NUT	1
71	JINPFQ53172605	TENSION DISC HOLDER	1
72	JINPFQ53172604	TENSION DISC	2
73	JINPFQ53172603	SCREW	1

2. MAIN SHAFT & THREAD TAKE-UP COMPONENTS



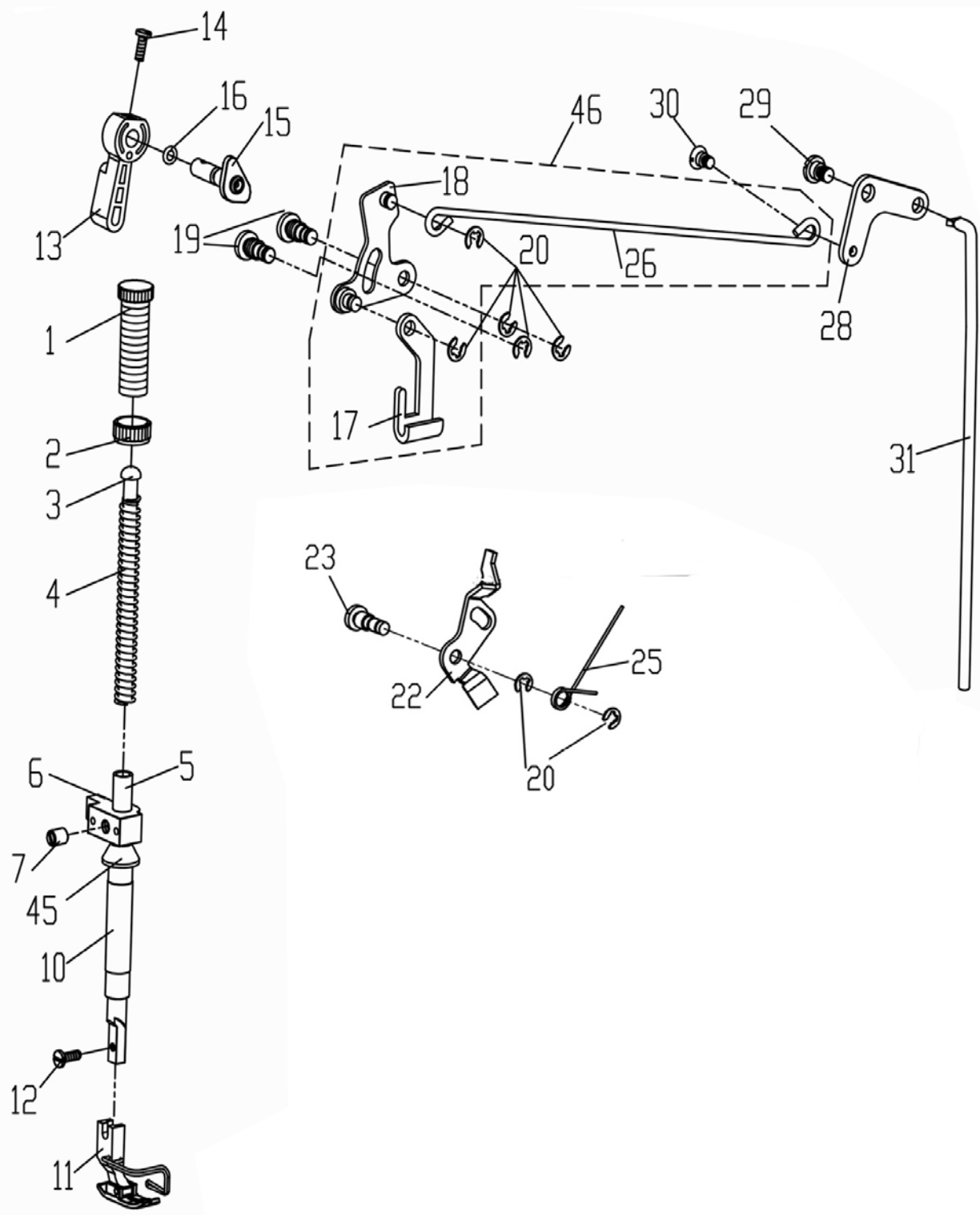
Ref. No	Part No	Description	QTY
1	JINPF555022	SCREW	1
2	JINPF5550225	THREED TAKE-UP CRANK SHAFT	1
3	JINPF5550211	ROLLER FELT	1
4	JINPF55502211	THREED TAKE-UP CONNECTING ROD	1
5	JINPF55502212	THREED TAKE-UP	1
6	JINPF555022404	BEARING	2
7	JINPF55502201	THREED TAKE-UP SHAFT	1
	JINPF5550H2201	THREED TAKE-UP SHAFT (H)	1
8	JINPF555031	NEEDLE BAR CONNECTING ROD	1
9	JINPF5550228	SCREW	1
10	JINPF55500223A	THREED TAKE-UP ASM.	1
	JINPF5550H0223A	THREED TAKE-UP ASM Heavy	1
11	JINPF5550218	SCREW	1
12	JINPF5550625	SCREW	2
13	JINPF5550217	RUBBER RING	1
14	JINPF5550216	SCREW	1
15	JINPF5550215	NEEDLE BAR CRANK	1
	JINPFQ520201	NEEDLE BAR CRANK (H)	1
16	JINPF55506202	FEED DRIVE ECCENTRIC CAM SAM	1
	JINPF55506203	FEED DRIVE ECCENTRIC CAM SAM (H)	1
17	JINPF555063	SCREW	1
18	JINPF555062	FEED DRIVE ECCENTRIC CAM	1
19	JINPF555065	SCREW	2
20	JINPF9802DP0205	UPPER SHAFT REAR SLEEVE	1
21	JINPF90000210	OIL SEAL	1
22	JINPF5550652	SNAP RING	1
23	JINPF555026	RETAINING RING	1
24	JINPF5550625	SCREW	2
25	JINPF90000207	FRONT BUSHING OF MAIN SHAFT	1
26	JINPF5550212	OIL ADJUSTING COLLAR	1
27	JINPF555028	MID BUSHING OF MAIN SHAFT	1
28	JINPF9802DP0223	ALNICO	1
30	JINSCJ2038	SCREW	1
31	JINSCJ2031	SCREW	2
32	JINPF9802DP0221	HEAD WHEEL	1
33	JINPF9802DP0201	MAIN SHAFT	1
34	JINPF5550213	OIL AMOUNT ADJUSTING PIN	1
35	JINPF5550214	RUBBER RING	1
36	JINPF555064	THRUST COLLAR	1
37	JINPF555029	SCREW	1
38	JINPF9802DP0219	MOTOR	1
39	JINSCJ2080	SCREW	4
40	JINSCJ3001	WASHER	4
41	JINSCJ1036	RETAINING RING	1

3. NEEDLE BAR, UPRIGHT SHAFT & HOOK DRIVING SHAFT COMPONENTS



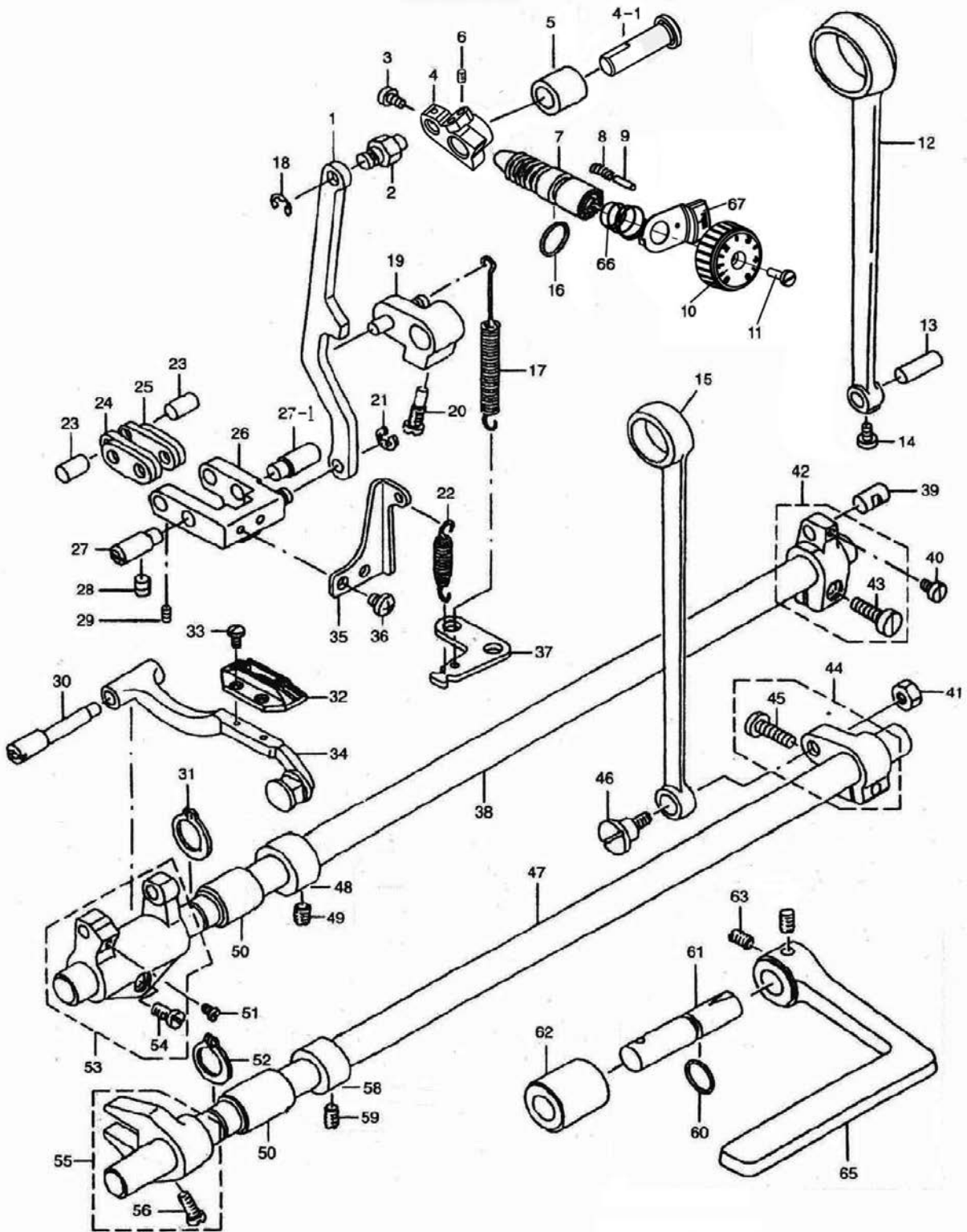
Ref.No	Part No	Description	QTY
1	JINPF555037	RUBBER PLUG	1
2	JINPF555036	UPPER BUSHING OF NEEDLE BAR	1
3	JINPF90000303	NEEDLE BAR	1
3	JINPF90000303H	NEEDLE BAR Heavy	1
4	JINPF555033	NEEDLE BAR HOLDER ASM.	1
5	JINPF6150227	SCREW	2
6	JINPF55503301	SCREW 9/64-40 L=6	1
7	JINPF888056D309	NEEDLE BAR THREAD GUIDE	1
7	JINPF5550H39	NEEDLE BAR THREAD GUIDE Heavy	1
8	JINPF555038	LOWER BUSHING OF NEEDLE BAR	1
9	JINPF5550H38	LOWER BUSHING OF NEEDLE BAR Heavy	1
9	JINPF5550312	SCREW	1
10	JINPF5550311	NEEDLE BAR THREAD GUIDE	1
11	JINPFDTDB114	NEEDLE (DBx1#14)	1
11	JINPFDTDP521	NEEDLE (DBx1#21)	1
14	JINPF555052605	BEVEL GEAR ASM.	1
15	JINPF5550519	SCREW	2
16	JINPF555052505	BEVEL GEAR ASM.	1
17	JINPF5550519	SCREW	2
19	JINPF555052005	BEVEL GEAR ASM.	1
20	JINPF5550519	SCREW	2
21	JINPF555051805	BEVEL GEAR ASM.	1
22	JINPF5550519	SCREW	2
23	JINPF5550524	UPRING SHAFT	1
24	JINPF55505107B	HOOK ASM.	1
24	JINPF5550H5104	HOOK ASM.	1
25	JINPF5550522	UPPER BUSHING	1
26	JINPF5550521	LOWER BUSHING	1
27	JINPF55505141	REAR BUSHING	1
28	JINPF9800TD410	SCREW	1
29	JINPF6150404	SNAP RING	1
30	JINPF55506261	SCREW	2
31	JINPF555057	HOOK DRIVING SHAFT	1
32	JINPF555055	POSTIONING FINGER	1
33	JINPF555056	SCREW	1
34	JINPF555029	SCREW	1
35	JINPF5550512	FRONT BUSHING	1
36	JINPF6150406	OIL SEAL RING	1
39	JINPF55505901	OIL WICK	1
40	JINPF555058	OIL SEAL SCREW ASM.	1
41	JINPF555053	BOBBIN	1
42	JINPF555052	BOBBIN CASE ASM.	1
43	JINPF6150404	SNAP RING	1
44	JINPF555029	SCREW	1
45	JINPF9001033101	NEEDLE BAR TROUGH ASM.	1
46	JINPF5550330	SCREW	2
47	JINPF90010311	SLIDE BLOCK	1

4. HAND LIFTER COMPONENTS



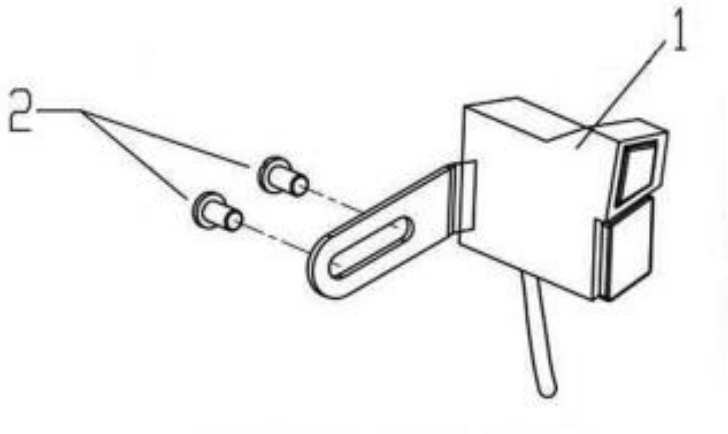
Ref.No	Part No	Description	QTY
1	JINPFQ541	PRESSER SPRING REGULATOR	1
2	JINPFQ542	NUT	1
3	JINPF555043	PRESSER GUIDE BAR	1
4	JINPF555044	PRESSER SPRING	1
5	JINPF555045	PRESSER GUIDE BAR	1
6	JINPF90000406	NEDDLE BAR GUIDE BRACKET	1
7	JINPF555047	SCREW	1
10	JINPF5550410	PRESSER BAR BUSHING LOWER	1
11	JINPF888056D411	PRESSER FOOT ASM.	1
11	JINPF5550H411	PRESSER FOOT ASM Heavy	1
12	JINPF5550412	SCREW	1
13	JINPFQ541301	HAND LOFTER	1
14	JINPF5550412	SCREW	1
15	JINPF90000415	HAND LOFTER CAM ASM.	1
16	JINPF5550416	RUBBER RING	1
17	JINPF90000417	LIFTING LEVER	1
18	JINPF9000041801	HAND LIFTER LINK ASM.	1
19	JINPF5550419	THREAD PIN	2
20	JINSCJ1008	SNAP RING	7
22	JINPF5550422	TENSION RELEASE PLATE	1
23	JINPF5550423	THREAD PIN	1
25	JINPF5550425	TENSION RELEASE RETURN	1
26	JINPF5550426	LIFTING LEVER CONNECTING ROD	1
28	JINPF5550428	LIFTING LEVER LINK	1
29	JINPF5550429	HINGE SCREW	1
30	JINPF5550430	HINGE SCREW	1
31	JINPF5550431	CONNECTING ROD VERRICAL	1
45	JINPF5550432	PRESSER BAR OIL SEAL	1
46	JINPF90000418	HAND LIFTER LINK ASM.	1

5. FEED MECHANISM COMPONENTS



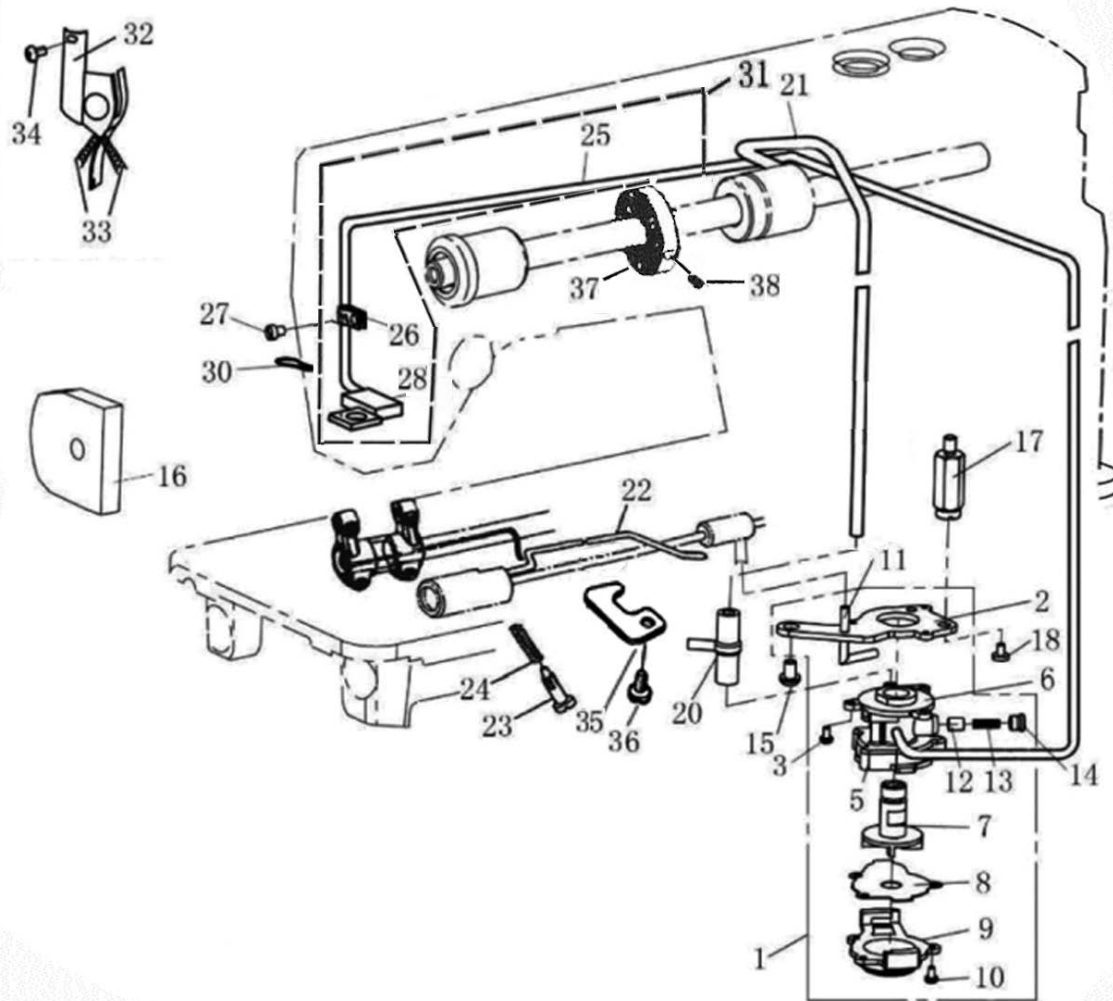
Ref. No	Part No	Description	QTY
1	JINPF9802DP0713B	FEED REGULATOR CONNECTING ROD	1
2	JINPF90000710	FEED REGULATOR PIN	1
3	JINPF68425B27	SCREW	2
4	JINPF9802DP0707	FEED REGULATOR	1
4-1	JINPF9802DP07071	PIN	1
5	JINPF555078	FEED REGULATOR BUSHING	1
6	JINSCJ2031	SCREW	2
7	JINPFS5T0706	FEED REGULATOR SCREW	1
8	JINPF555076	SPRING	1
9	JINPF9800070401	PIN	1
10	JINPFQ57201	FEED DIAL	1
11	JINPFQ571	SCREW	1
12	JINPF555066	ROCKER SHAFT CONNECTING ROD	1
13	JINPF555067	PIN	1
14	JINPF555068	SCREW	1
15	JINPF5550649	CONNECTING ROD	1
16	JINPF555074	RUBBER RING	1
17	JINPF5550722	ADJUSTING LINK SPRING	1
18	JINSCJ1007	SNAP RING	1
19	JINPF90000721	FEED REVERSE ARM ASM.	1
20	JINPF5550721	FEED REVERSE ARM SCREW	1
21	JINSCJ1007	SNAP RING	1
22	JINPF5550726	FEED REVERSE SPRING	1
23	JINPF5550611	WALKING FOOT PIN	2
24	JINPF5550609	LONG WALKING FOOT LINK	2
25	JINPF555060901	SHORT WALKING FOOT LINK	2
26	JINPF5550613	WALKING FOOT ADJUST LINK	1
27	JINPF5550614	ADJUSTING LINK FULCRUM SHAFT	1
27-1	JINPF555061601	ADJUSTING LINK FULCRUM SHAFT	1
28	JINPF6150326	SCREW	2
29	JINPF555068	SCREW	2
30	JINPF5550632	FEED BAR SHAFT	1
31	JINSCJ1036	RETAINING RING	1
32	JINPF5550634	FEED DOG	1
32	JINPF030341	FEED DOG (H)	1
33	JINPF5550635	SCREW	2
34	JINPF555063101	FEED ROCKER BASE ASM.	1
35	JINPF5550724	ADJUSTING LINK SPRING GUIDE	1
36	JINPF5550633	SCREW	2
37	JINPF98000717	FEED REVERSE HOOK	1
38	JINPF5550622	FEED ROCKER SHAFT	1
39	JINPF5550619	WALKING FOOD PIN	1
40	JINPF555068	SCREW	1
41	JINPF5550651	NUT	1
42	JINPF5550618	FEED ROCKER SHAFT CRANK ASM.	1
43	JINPF555068	SCREW	1
44	JINPF5550647	REAR CRACK ASM.	1
45	JINPF5550648	SCREW	1
46	JINPF5550650	SCREW	1
47	JINPF5550644	FEED DRIVING SHAFT	1
48	JINPF5550653	RETAINING RING	1
49	JINPF5550625	SCREW	2
50	JINPF5550626	FEED ROCKER SHAFT BUSHING	2
51	JINPF5550633	SCREW	2
52	JINSCJ1036	RETAINING RING	1
53	JINPF5550628	FEED ROCKER BASE ASM.	1
54	JINPF5550629	SCREW	1
55	JINPF5550642	DRIVING SHAFT CRANK ASM.	1
56	JINPF6150607	SCREW	1
58	JINPF5550653	RETAINING RING	1
59	JINPF5550625	SCREW	2
60	JINPF5550715	RUBBER RING	1
61	JINPF90000723	FEED REVERSE SHAFT	1
62	JINPF5550716	FEED LEVER METAL	1
63	JINPF5550330	SCREW	2
65	JINPFQ156502	REVERSE FEED CONTROL LEVER	1
66	JINPF0302445	SPRING	1
67	JINPF9800070201	NEEDLE GAUGE LOCK GUIDE	1

6. LIGHTING ASM.



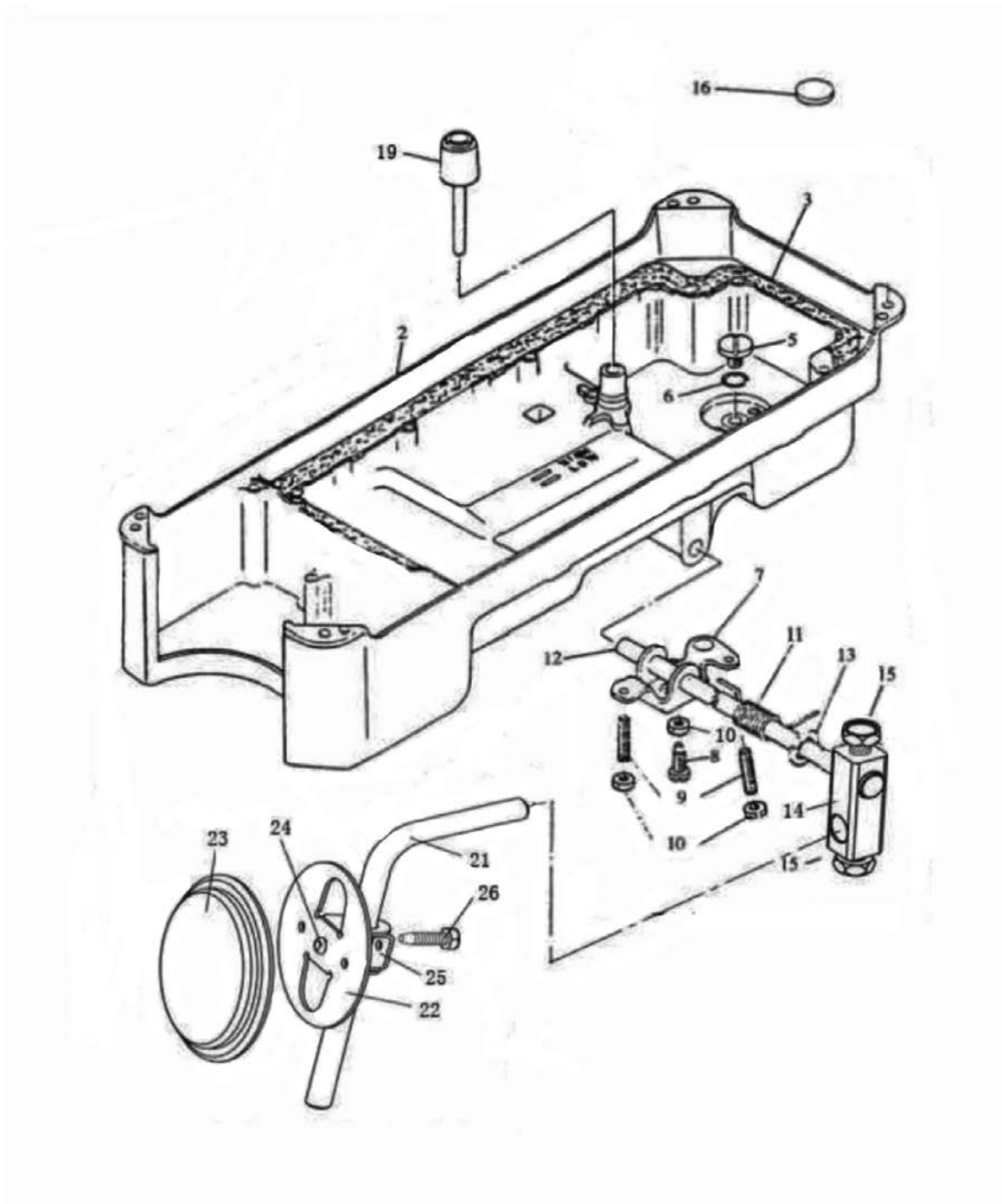
Ref.No	Part No	Description	QTY
1	JINPFQ119201	REVEVSE SEWING SWITCH	1
2	JINPF555016	SCREW	2

7. OIL LUBRICATION COMPONENTS



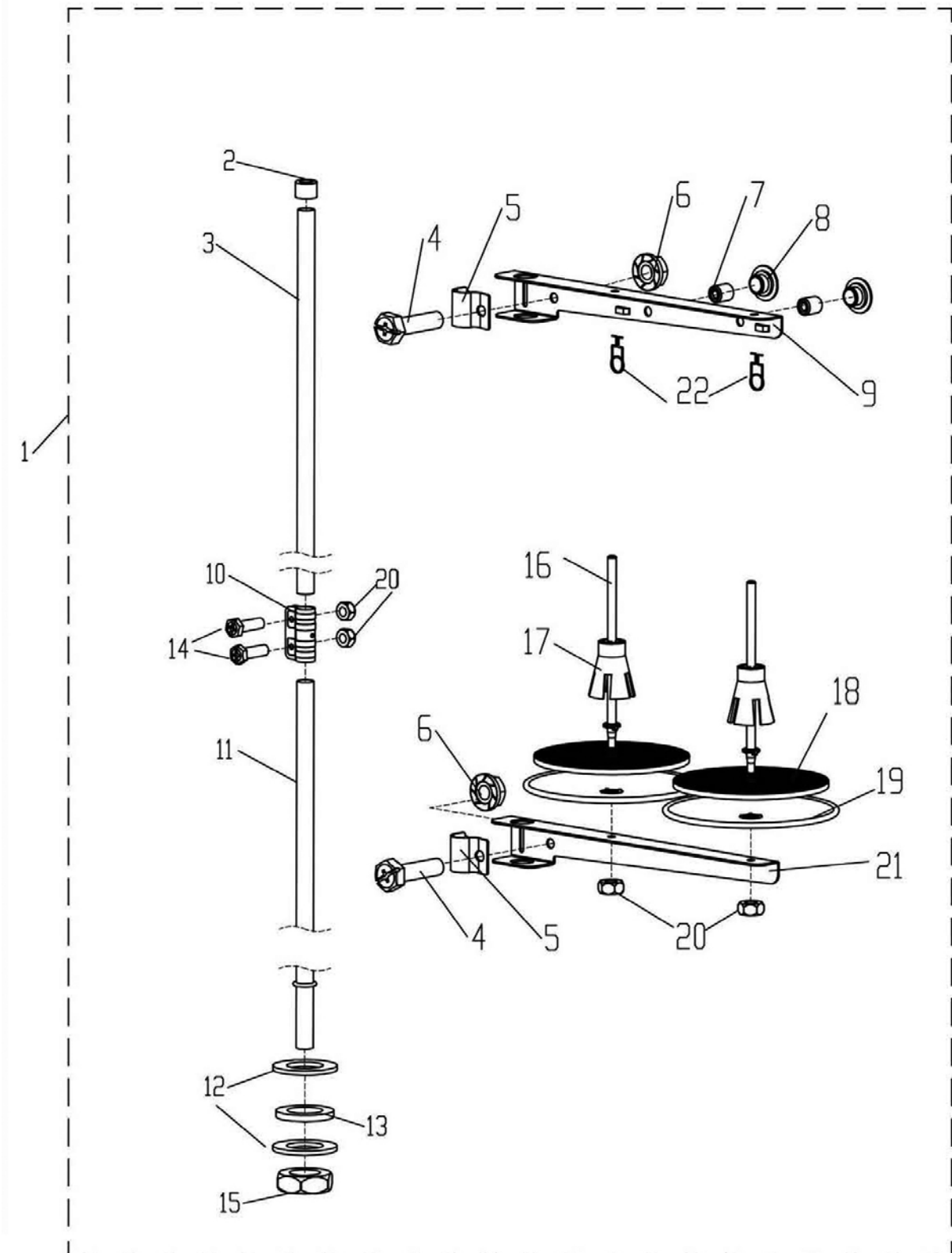
Ref.No	Part No	Description	QTY
1	JINPF555081	LUBRICATING OIL PUMP ASM.	1
2	JINPF55508101	OIL PUMP INSTALLING BASE	1
3	JINPF55508102	SCREW	3
5	JINPF55508103	OIL PUMP	1
6	JINPF55508104	OIL PUMP BUSHING	1
7	JINPF55508105	OIL PUMP IMPELLER	1
8	JINPF55508106	OIL PUMP IMPELLER COVER	1
9	JINPF55508107	LUBRICAING OIL PUMP COVER	1
10	JINPF55508108	SCREW	3
11	JINPF55508109	HOOK DRIVING SHAFT OIL TUBE	1
12	JINPF55508110	PLUNGER	1
13	JINPF55508111	PLUNGER SPRING	1
14	JINPF55508112	SCREW	1
15	JINPF5550823	SCREW	1
16	JINPF90011038	SPONGE	1
17	JINPF5550815	OIL PUMP SUPPORT	1
18	JINPF555056	SCREW	1
20	JINPF5550817	RUBBER JOINT	1
21	JINPF90001021	MAIN SHAFT OIL TUBE	1
22	JINPF5550819	OIL TUBE	1
23	JINPF6150408	OIL ADJUSTING SCREW	1
24	JINPF5550821	SPRING	1
25	JINSCJ5030	OIL RETURN GUARD	1
26	JINPF5550827	OIL RETURN TUBE HOLDER	1
27	JINPF5550230	SCREW	1
28	JINPF5550830	OIL FELT	1
30	JINPF5550831	OIL FELT PRESSER	1
31	JINPF5550830YGZJ	OIL RETURN GUARD ASM	1
32	JINPF5550832	OIL WICK SUPPORT	1
33	JINPF5550833	OIL WICK	1
34	JINPF5550834	SCREW	1
35	JINPF5550822	WIRE HOLDER	1
36	JINPF5550823	SCREW	1
37	JINPF03030223	WHEEL	1
38	JINPF68425H33	SCREW	2

8. OIL RESERVOIR COMPONENTS



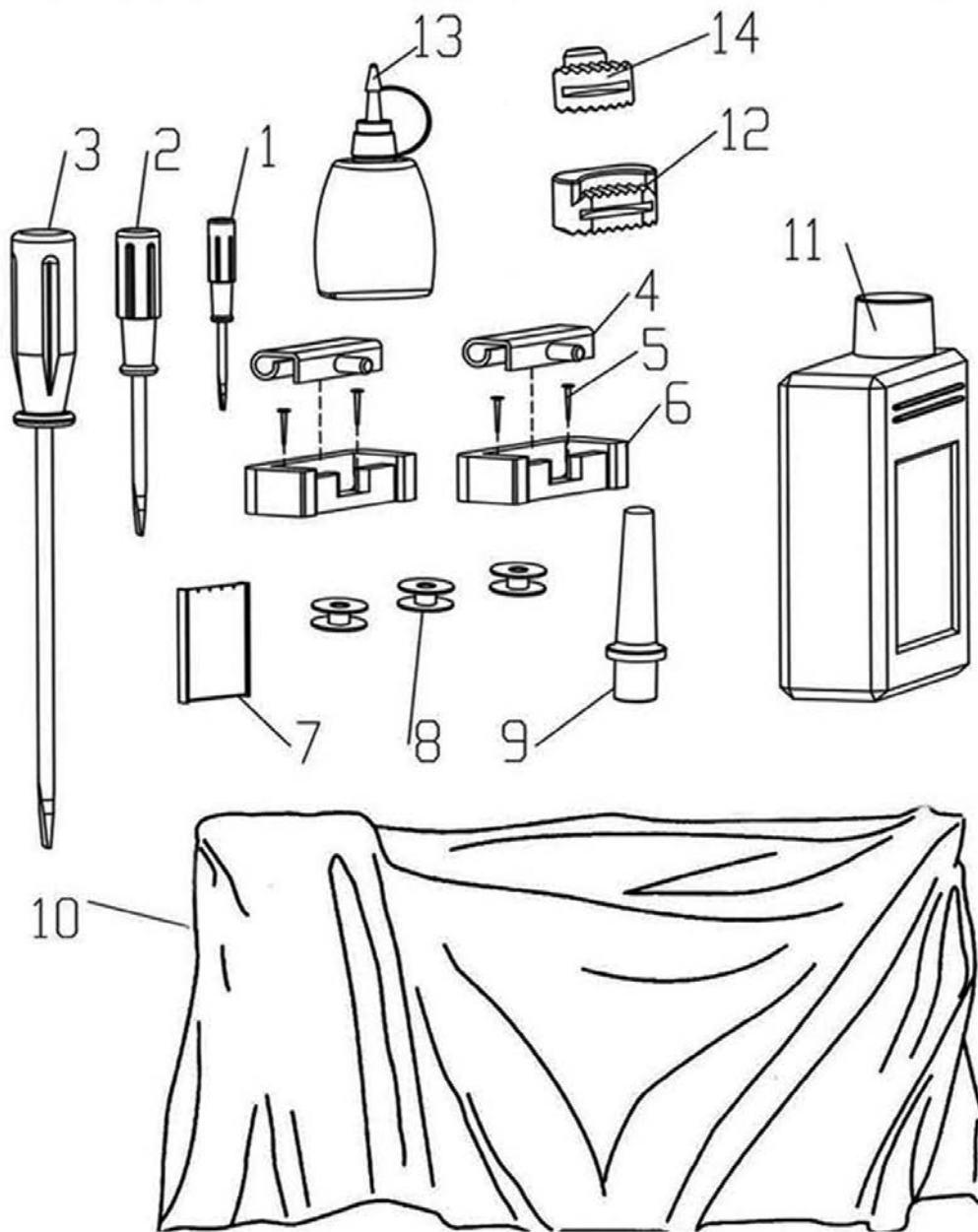
Ref. No	Part No	Description	QTY
2	JINPF555092	OIL PLATE	1
3	JINPF555093	OIL PLATE BED	1
5	JINPF555095	OIL EXPRACTION HOLE SCREW	1
6	JINPF555096	RUBBER RING	1
7	JINPF5550912	TWO-WAY CRANK	1
8	JINPF5550913	SCREW	1
9	JINPF5550914	BANKING SCREW OF TWO-WAY CRANK	2
10	JINPF5550915	BANKING NUT OF TWO-WAY CRANK	3
11	JINPF5550916	TWISTING SPRING	1
12	JINPF5550917	LIFTING PRESSOR FOOT SHAFT	1
13	JINSCJ1014	OPEN SHIELD RING	1
14	JINPF5550919	OPERATING BAR HEAD	1
15	JINPF5550930	OPERATING BAR HEAD SCREW	2
16	JINSCJ6012	OIL PLATE MAGNET	1
19	JINPF5550911	TOP PIN	1
21	JINPF5550922	OPERATING BAR	1
22	JINPF5550923	OPERATING PLATE	1
23	JINPF5550924	SOFT CUSHION OF OPERATING BAR	1
24	JINPF5550925	OPERATING BAR BED	1
25	JINPF5550926	OPERATING BAR TIP	1
26	JINPF5550927	TIP SCREW	1

9. THREAD STAND COMPONENTS



Ref. No	Part No	Description	QTY
1	JINPF5550112701	THREAD STAND AMS.	1
2	JINPF555011270101	COLUMN CAP	1
3	JINPF5550112702	COLUMN PIPE (UPPER)	1
4	JINPF5550112703	SCREW	2
5	JINPF5550112704	THREAD GUIDE ARM JOINT	2
6	JINPF5550112705	NUT	2
7	JINPF5550112706	THREAD GUIDE PIPE	2
8	JINPF5550112707	THREAD GUIDE BUSHING	2
9	JINPF5550112708	THREAD HANGER (2 SPOOLS TUPE)	1
10	JINPF5550112709	COLUMN PIPE CONNECTOR	1
11	JINPF5550112710	COLUMN PIPE (LOWER)	1
12	JINPF5550112711	WASHER	2
13	JINPF5550112712	WASHER	1
14	JINPF5550112713	SCREW	2
15	JINPF5550112714	NUT	1
16	JINPF5550112715	SPOOL PIN	2
17	JINPF5550112716	SPOOL CUSHION	2
18	JINPF5550112717	SOFT CUSHION OF THREAD PLARE	2
19	JINPF5550112718	THREAD PLATE	2
20	JINPF5550112719	NUT	4
21	JINPF5550112720	THREAD HANGE (LOWER)	1
22	JINPF5550112721	THREAD GUIDE RING	2

10. ACCESSORIES



Ref.No	Part No	Description	QTY
1	JINPF55501018	SCREW DRIVER (SMALL)	1
2	JINPF55501017	SCREW DRIVER (MIDDLE)	1
3	JINPF55501016	SCREW DRIVER (LARGE)	1
4	JINPF5550101	HINGE COMPL	2
5	JINSCJ6018	RUBBER CUSHION NAIL	6
6	JINPF5550102	RUBBER CUSHION	2
7	JINPFDTDB114	NEEDLE	1
8	JINPF555053	BOBBIN	3
9	JINPF55501021	FRAME SUPPORT BAR	1
10	JINPF0303104004	FRAMEVINYL COVER	1
11	JINPF55501022	OIL BOTTLE WITH OIL	1
12	JINPF555099	NOSE SUPPORT	2
13	JINPF61501105	OILER ASM.	1
14	JINPF555098	DIE CUSHION	2

公司: JUKI SINGAPORE PTE LTD.
地址: 20 BENDEMEER ROAD, #04-12 BS BENDEMEER CENTRE SINGAPORE 339914
电话: (65)6553-4388
网站: <http://www.juki.com.sg/>
邮箱: we.sgp-sales@ml.juki.com

公司: Juki Machinery Vietnam Company Ltd.
地址: 153 HOA LAN STR., WARD 2, PHU NHUAN DIST., HO CHI MINH CITY, VIETNAM
电话: (84)28-35178833
传真: (84)28-35178318
邮箱: sales@jukinv.com

公司: Juki Machinery Bangladesh Ltd
地址: NATORE TOWER (5TH FLOOR) PLOT#32-D & 32-E, ROAD#02, SECTOR#03,
UTTARA MODEL TOWN, DHAKA, BANGLADESH
电话: (880)2-48954731
传真: (880)2-48954733
邮箱: vl.jubl-info@ml.juki.com

公司: Juki India Private Limited
地址: GROUND AND 1ST FLOOR, NO.1090/1, 18TH CROSS ROAD, 3RD SECTOR,
HSR LAYOUT BANGALORE-560 102, KARNATAKA STATE, INDIA
电话: (91)80-4251-1900
传真: (91)80-4251-1999
网站: <http://jukiindia.com/>
邮箱: jukiblr@jukiindia.com

公司: JUKI CENTRAL EUROPE
地址: UL POLECZKI 21 (PLATAN PARK C) 02-822 WARSAW, POLAND
电话: (48)22-545-0400
传真: (48) 22-5450411
网站: <http://jukieurope.com/>

公司: JUKI America INC
地址: 8500 NW 17TH STREET, SUITE 100, DORAL, FL 33126-1035, U. S. A.
电话: (1)305-594-0059
网站: <https://juki.com/>